



IONISATION SMOKE DETECTOR : SIJ

Features

1. Enhanced performance
 - The SIJ exceptional capabilities results from incorporating a single radioactive source and dual chambers for stable operation even under extreme environmental conditions (including atmospheric changes)
2. Modern low profile design
3. Twin LED indicator lamp
4. Low current consumption
5. Improved noise immunity
6. Custom designed steel mesh

Application

The SIJ Ionisation smoke detector has a responsive and highly stabile operation that gives it an extremely wide range of uses. The SIJ can be used in areas where early warning of trouble from super-heating or flaming combustibles is expected.

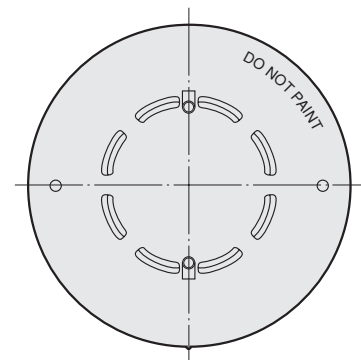
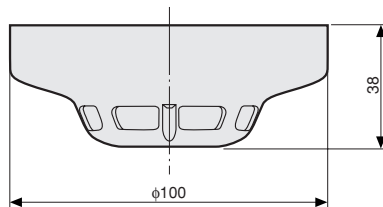
Specifications

| | SIJ-E | SIJ-24 |
|--------------------------------------|-------------------------------|-------------------|
| Applicable Standard | EN54 Pt7 | UL268 |
| Rated Voltage | DC24V | |
| Working Voltage Range | DC 15V ~ 30V | |
| Current Consumption | 25 μ A at 24V | 25 μ A at 24V |
| Maximum Switching Current | 40mA | 80mA |
| Radioactive Source | Am ²⁴¹ 18.5kBq | |
| Operating Ambient Temperature Range | -10°C ~ +50°C (14°F ~ 122°F) | |
| Storage Temperature Range | -20°C ~ +60 C (-4°F ~ 140°F) | |
| Allowable Ambient Humidity (at 40°C) | 95% RH Non-Condensing | |
| Dimension (incl. Base) | ø100mm X 38mm (ø100mm X 46mm) | |
| Weight (incl, Base) | 85g (130g) | |
| Color | Ivory | |
| Made | USA | |

Compatible Bases

YBN-R/4, YBN-R/4SK, YBK-R/5, YBK-R/5SK, YBK-R/5ZD, YBK-R/5R2, YBO-R/5, YBO-R/5SK, YBO-R/5ZD, YBO-R/5R2, YBO-R/4A, YBO-R/4C.

Ask Hochiki for another combination



HOCHIKI CORPORATION

SINGAPORE BRANCH OFFICE

629 Aljunied Road #03-16 Cititech Industrial Building
Singapore 389838
Tel : 65-6841-9728 Fax : 65-6841-9781
Email : hochiki@singnet.com.sg

HEAD OFFICE

10-43 Kamiosaki 2-Chome. Shinagawa-Ku,
Tokyo 141-8660, Japan
Tel : 81-(3)-3444-4116 Fax : 81-(3)-3444-4167
URL : www.hochiki.co.jp